

8/S2
v 3.3 (en)

RADIATOR CONVECTOR

RKF, RKW



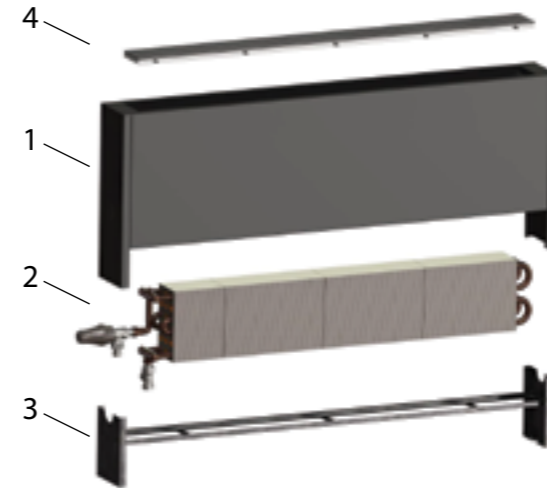
TABLE OF CONTENTS

Floor version RKF.....	427
Wall version RKW.....	428
Accessories.....	433

Definition of symbols:

V	[m ³ /h]	- air flow rate	L	[m]	- window length
v _L	[m/s]	- cold jet velocity	t _{UL}	[°C]	- inlet air temperature
Δt _L	[°C]	- temperature difference	t _{UZ}	[°C]	- outlet air temperature
K _L	[W/m ² K]	- heat coefficient	Q _H	[W]	- heating output
Q	[W]	- heat output	Q _C	[W]	- cooling output
L _{WA}	[dB(A)]	- sound power level	Q _S	[W]	- sensible heat output
c _L	[kJ/kgK]	- specific heat coefficient of cold air	U	[V]	- voltage
b	[m]	- window width	I	[A]	- current
h	[m]	- window height	P	[W]	- electric motor rated power
ρ	[kg/m ³]	- air density	f	[Hz]	- frequency

RADIATOR CONVECTOR - RKF



- Case is made of steel sheet, powder coated in any RAL colour.
- Made in standard lengths from 600mm to 2800mm, three standard widths(140, 200, 270) and four standar heights (150, 250, 350, 450) are available.
- Heat exchanger is made of copper tubing with aluminium fins. Water connections are 1/2", inner thread.
- Heat exchanger is made fo water as a working medium, and designed for mean pressure 10 bar. Tested to 105°C and 25 bar.
- Heat capacities are in accordance with HRN EN 422.

Radiator convector consists of :

1. Casing
2. Heat exchanger
3. Frame subassembly
4. Covering grille

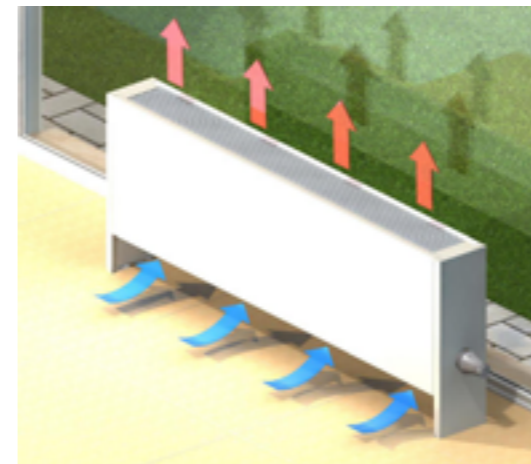
Model, design and size

Wide range of product sizes and designs are available

Type: floor fixing

- Covering grille model:
1. Perforated plate
 2. Aluminium grille

Case lengths: 600 - 2800mm
 Case widths: 150, 200, 270 mm
 Case heights: 150, 250, 350, 450 mm



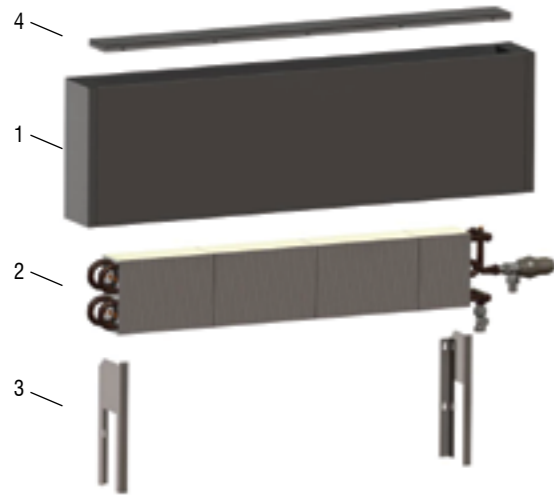
Product selection software

• Software enables quick and easyselction of the model based on the size and working regime and provides information regarding overall capacity, water flow and pressure drop.

Delivery

Standard delivery in white RAL 9010, with perforated plate and without water regulation element.
 All available accessories and RAL colours are listed on pages 72-73.

RADIATOR CONVECTOR - RKW



- Case is made of steel sheet, powder coated in any RAL colour.
- Made in standard lengths from 600 mm to 2800 mm, three standard widths (140, 200, 270) and three standard heights (250, 350, 450) are available.
- Heat exchanger is made of copper tubing with aluminium fins. Water connections are 1/2", inner thread.
- Heat exchanger is made for water as a working medium, and designed for mean pressure 10 bar. Tested to 105°C and 25 bar.
- Heat capacities are in accordance with HRN EN 422.

Radiator convector consists of :

1. Casing
2. Heat exchanger
3. Frame subassembly
4. Covering grille

Model, design and size

Wide range of product sizes and designs are available

Type: floor fixing

Covering grille model:

1. Perforated plate
2. Aluminium grille

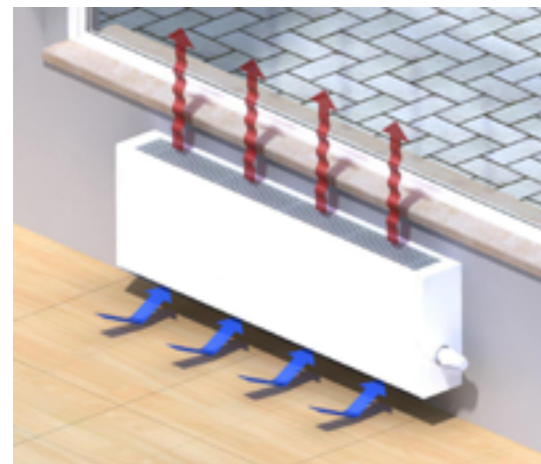
Case lengths: 600 - 2800 mm
Case widths: 150, 200, 270 mm
Case heights: 150, 250, 350, 450 mm

Product selection software

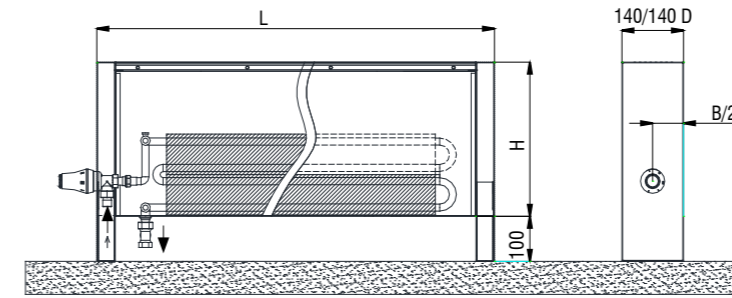
• Software enables quick and easy selection of the model based on the size and working regime and provides information regarding overall capacity, water flow and pressure drop.

Delivery

Standard delivery in white RAL 9010, with perforated plate and without water regulation element. All available accessories and RAL colours are listed on pages 72-73.



RK - type 140



RK - type 140													
H [mm]	L [mm]	600	800	1000	1200	1400	1600	1800	2000	2200	2400	2600	2800
150	90°C / 70°C / 20°C	483	644	805	966	1127	1288	1449	1610	1771	1932	2093	2254
	V _w [m³/h]	21	28	35	42	48	55	62	69	76	83	90	97
	75°C / 65°C / 20°C	371	495	619	743	867	991	1114	1238	1362	1486	1610	1734
	V _w [m³/h]	32	43	53	64	75	85	96	106	117	128	138	149
250	55°C / 45°C / 20°C	178	237	297	356	415	475	534	593	653	712	771	831
	V _w [m³/h]	15	20	26	31	36	41	46	51	56	61	66	71
	90°C / 70°C / 20°C	609	811	1014	1216	1418	1622	1824	2027	2230	2432	2635	2838
	V _w [m³/h]	26	35	44	52	61	70	78	87	96	105	113	122
350	75°C / 65°C / 20°C	468	624	780	935	1091	1247	1403	1559	1715	1870	2027	2183
	V _w [m³/h]	40	54	67	80	94	107	121	134	147	161	174	188
	55°C / 45°C / 20°C	224	299	374	448	523	598	672	747	822	896	971	1046
	V _w [m³/h]	19	26	32	39	45	51	58	64	71	77	84	90
450	90°C / 70°C / 20°C	708	943	1180	1416	1651	1888	2122	2359	2595	2831	3068	3302
	V _w [m³/h]	30	41	51	61	71	81	91	101	112	122	132	142
	75°C / 65°C / 20°C	545	725	908	1089	1270	1452	1632	1814	1996	2177	2360	2540
	V _w [m³/h]	47	62	78	94	109	125	140	156	172	187	203	218
150	55°C / 45°C / 20°C	261	348	435	522	609	696	782	869	956	1043	1131	1217
	V _w [m³/h]	22	30	37	45	52	60	67	75	82	90	97	105
	90°C / 70°C / 20°C	790	1053	1316	1579	1842	2106	2368	2632	2895	3158	3422	3685
	V _w [m³/h]	34	45	57	68	79	91	102	113	124	136	147	158
250	75°C / 65°C / 20°C	608	810	1012	1214	1417	1620	1821	2024	2227	2429	2632	2834
	V _w [m³/h]	52	70	87	104	122	139	157	174	191	209	226	244
	55°C / 45°C / 20°C	291	388	485	582	679	776	873	970	1067	1167	1261	1358
	V _w [m³/h]	25	33	42	50	58	67	75	83	92	100	108	117

RK - type 140 D (DOUBLE EXCHANGER)													
H [mm]	L [mm]	600	800	1000	1200	1400	1600	1800	2000	2200	2400	2600	2800
250	90°C / 70°C / 20°C	831	1108	1385	1662	1938	2216	2493	2769	3044	3323	3601	3877
	V _w [m³/h]	36	48	60	71	83	95	107	119	131	143	155	167
	75°C / 65°C / 20°C	639	852	1065	1278	1491	1704	1917	2130	2341	2556	2770	2982
	V _w [m³/h]	55	73	92	110	128	147	165	183	201	220	238	256
350	55°C / 45°C / 20°C	306	408	510	613	714	817	919	1021	1122	1225	1327	1429
	V _w [m³/h]	26	35	44	53	61	70	79	88	96	105	114	123
	90°C / 70°C / 20°C	936	1248	1561	1873	2186	2498	2809	3122	3434	3747	4058	4371
	V _w [m³/h]	40	54	67	81	94	107	121	134	148	161	174	188
450	75°C / 65°C / 20°C	720	960	1201	1441	1681	1921	2160	2401	2641	2882	3121	3362
	V _w [m³/h]	62	83	103	124	145	165	186	206	227	248	268	289
	55°C / 45°C / 20°C	345	460	575	690	806	921	1035	1151	1266	1381	1496	1611
	V _w [m³/h]	30	40	49	59	69	79	89	99	109	119	129	139
150	90°C / 70°C / 20°C	1027	1369	1711	2053	2396	2739	3081	3423	3765	4107	4450	4792
	V _w [m³/h]	44	59	74	88	103	118	132	147	162	177	191	206
	75°C / 65°C / 20°C	790	1053	1316	1579	1843	2107	2370	2633	2896	3159	3422	3685
	V _w [m³/h]	68	91	113	136	158	181	204	226	249	272	294	317
250	55°C / 45°C / 20°C	379	505	631	757	883	1010	1136	1262	1388	1514	1640	1766
	V _w [m³/h]	33	43	54	65	76	87	98	108	119	130	141	152

PRODUCT SELECTION SOFTWARE

On Klimaoprema website (www.klimaoprema.hr) you can find our selection software. It allows you to define model, size and type of radiator convector. Input variables are heat capacity, water flow and pressure drop.

ACCESSORIES



QL-006
Thermostatic valve angular 1/2"



QL-010
Shut off cock, straight 1/2"



0027
Thermostatic head Collection S



QL - 022
Thermostatic head - RAL 9016



QL - 026
Thermostatic head - White / chrome



QL - 023
Thermostatic head - RAL 9005



QL - 024
Thermostatic head - metal matte



QL - 025
Thermostatic head - metal chrome



QL-107
Cover grille - perforated plate (standard)



QL-108
Cover grille - linear fixed

Ordering key

Type **RKW - 150- 600- 140D - L - RAL...**
RKW - wall radiator convector
RKF - floor radiator convector
 Height
150
250
350
450
 Length
600-2800
 Width
140
200
270
D: double heat exchanger
 Water connection **L** - left side
D - right side

Accessories

- QL-xxx